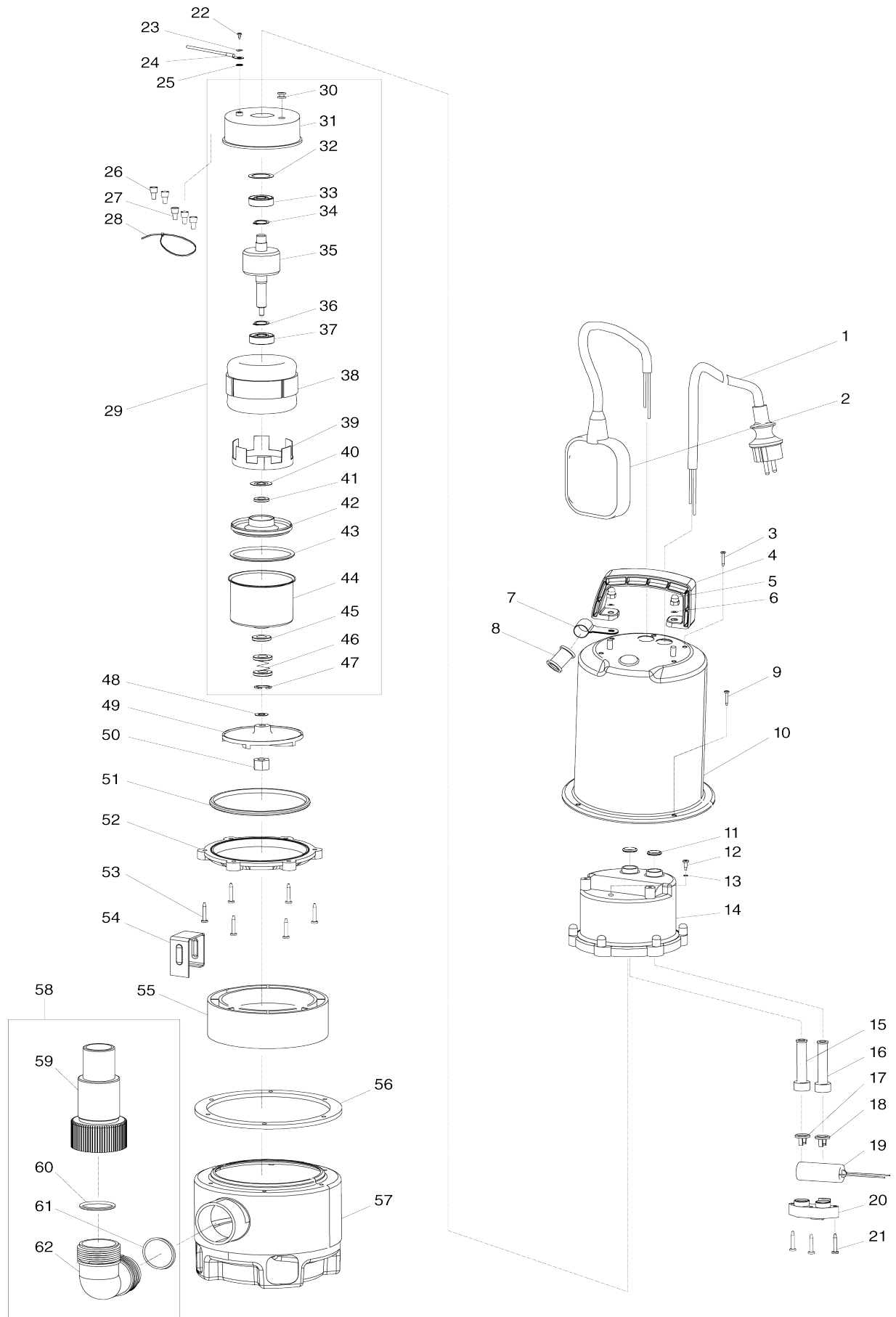


Model No.PF0610 SUBMERSIBLE PUMP



Model No.PF0610 SUBMERSIBLE PUMP

Item No.	Parts No.	Description
001	609025436	POWER SUPPLY CORD 1.0-3-10
001-1	JH00000124	CORD H05RN-F 1.0-3-10 EU
002	609026209	FLOAT SWITCH BLUE
002-1	JH00000126	FLOAT SWITCH BLUE
003	609026213	TAPPING SCREW 4.2X13 INOX
003-1	JH00000077	Y HEAD TAPPING SCREW ST4.5X13
004	609024798	HANDLE BLUE
005	609024637	HEX. CAP NUT M5 INOX
006	609024638	FLAT WASHER 5 INOX
007	609024650	CORD CLAMP INOX
008	609026214	CORD GUARD
009	609024639	+ PAN HEAD SCREW M4X10 INOX
010	609024663	UPPER HOUSING INOX
C10	609024674	BLIND PLUG
010-1	JH00000128	UPPER HOUSING INOX
C10	609024674	BLIND PLUG
011	609024641	O-RING 15
011-1	JH00000117	O-RING 15
012	JH00000002	TAPPING SCREW
013	JH00000003	O-RING
013-1	JH00000125	O-RING
014	609024642	WATER PROOF INNER HOUSING
015	609024588	CORD GUARD 8.5
015-1	JH00000110	CORD GUARD 8.5
016	609024664	CORD GUARD 7.0
016-1	JH00000119	CORD GUARD 7.0
017	609024590	CORD CLAMP 8.5
018	609024589	CORD CLAMP 6.5
018-1	JH00000099	CORD CLAMP 6.5
019	JH00000076	CAPACITOR 12 MICRO F
019-1	JH00000183	CAPACITOR 12 MICRO F
020	609024592	CAPACITOR HOLDER
021	609024593	TAPPING SCREW 4X32
022	609024601	SCREW M4X8
023	609024596	SPRING WASHER 4
024	JH00000004	GROUND WIRE ASSY
025	609024600	TOOTHED LOCK SPRING WASHER 4
025-1	JH00000082	TOOTHED LOCK SPRING WASHER 4
026	609024629	CLOSED END SPLICE 5.5-SD
027	609024630	CLOSED END SPLICE 2-SD
028	609024632	CABLE TIE
029	JH00000070	STATOR ASSY 230V 50HZ
029		INC. 30-47
029		INC. 30-33,35,37-47
030	609024595	GROMMET 10

031	609024594	MOTOR HOUSING UPPER SIDE
032	609024602	WAVE WASHER 25
033	609024603	BALL BEARING 6201Z
034	961052-5	RETAINING RING (EXT) S-12
035	JH00000061	ROTOR
036	961052-5	RETAINING RING (EXT) S-12
037	609024603	BALL BEARING 6201Z
038	JH00000062	STATOR ASSY 230V 50HZ
039	609024667	LINING RING
040	609024607	SHIM
041	609024608	SKELETON SEAL RING
041-1	JH00000111	SKELETON SEAL RING
042	609024609	BEARING BOX
043	609024610	O-RING
043-1	JH00000112	O-RING
044	609024668	MOTOR HOUSING LOWER SIDE
045	609024608	SKELETON SEAL RING
045-1	JH00000111	SKELETON SEAL RING
046	609024633	MECHANICAL SEAL
046-1	JH00000127	MECHANICAL SEAL
047	609024634	RETAINING RING S-12 INOX
048	609024613	SPACER WASHER 12
049	609024669	IMPELLER
049-1	JH00000103	IMPELLER
050	609024615	NYLON INSERT HEX LOCK NUT M 8
051	609024612	O-RING
051-1	JH00000113	O-RING
052	JH00000058	O-RING RETAINER
053	609024646	TAPPING SCREW 4X30 INOX
054	609024654	GROUND PLATE
055	609024655	MOTOR MOUNT
056	609024671	GASKET FOR HOUSING
056-1	JH00000120	GASKET FOR HOUSING
057	609024672	LOWER HOUSING INOX
058	JH00000005	OUTLET CONNECTOR KIT
058		INC. 59-62
059	609024627	OUTLET CONNECTOR
060	609024625	O-RING
060-1	JH00000115	O-RING
061	609024625	O-RING
061-1	JH00000115	O-RING
062	609024626	ELBOW